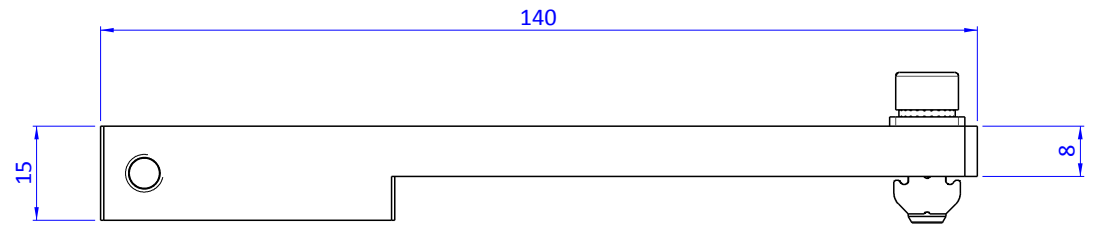
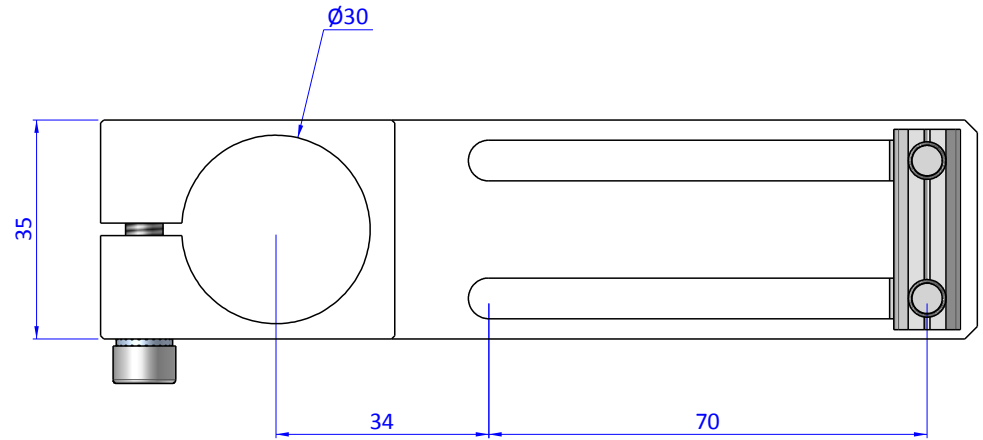
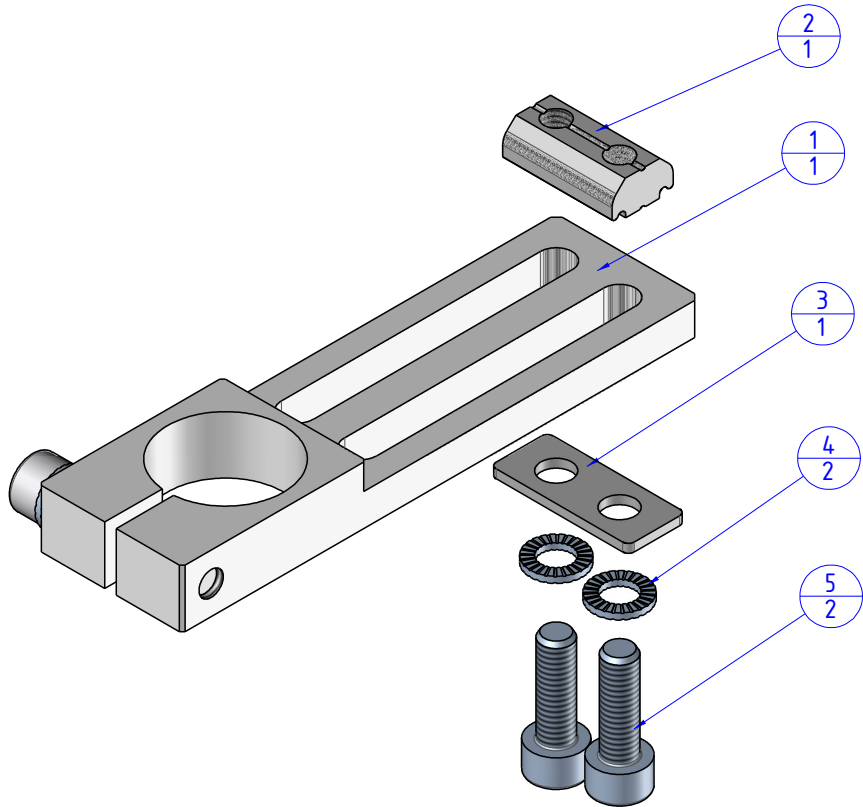


THE PROPERTY OF THE DRAWING IS ESTABLISHED BY LAW. IT IS FORBIDDEN TO PRODUCE OR SHOW IT TO THIRD PARTS WITHOUT A WRITTEN AGREEMENT.

Item	Name	Q. ty
1	CA.04.02.30	1
2	CA.GWP.6.22	1
3	R.06.22	1
4	R.6.SCH	2
5	VTCE6x18	2



Format A3

UNI 936-76

		DESIGNED FROM		REVIEW
		FPSERVICES		A
GENERAL TOLERANCE		DATE	WEIGHT	
UNI - ISO 2768		30/04/2016	0,012kg	
CLASSE f		CODE		
		CA.04.02.30.X		CA.04.02.30.X